

HSP-W series

Pressure Transmitter

Honeywell HSP-W series pressure transmitter are applied to Central AC water system and other liquid or gas pressure measuring that temperature, pressure and joint material properties match.



The standard threaded connection at the bottom of sensor can be mounted directly on the pipe, and the high precision sensing element can contact with the medium directly for pressure measuring.

Features

- High precision and performance sensing element.
- Compact design.
- Contact medium parts are made of SS316.
- Better thermal performance.
- 1 meter extension wire for convenient wiring and ensure the overall sealing grade

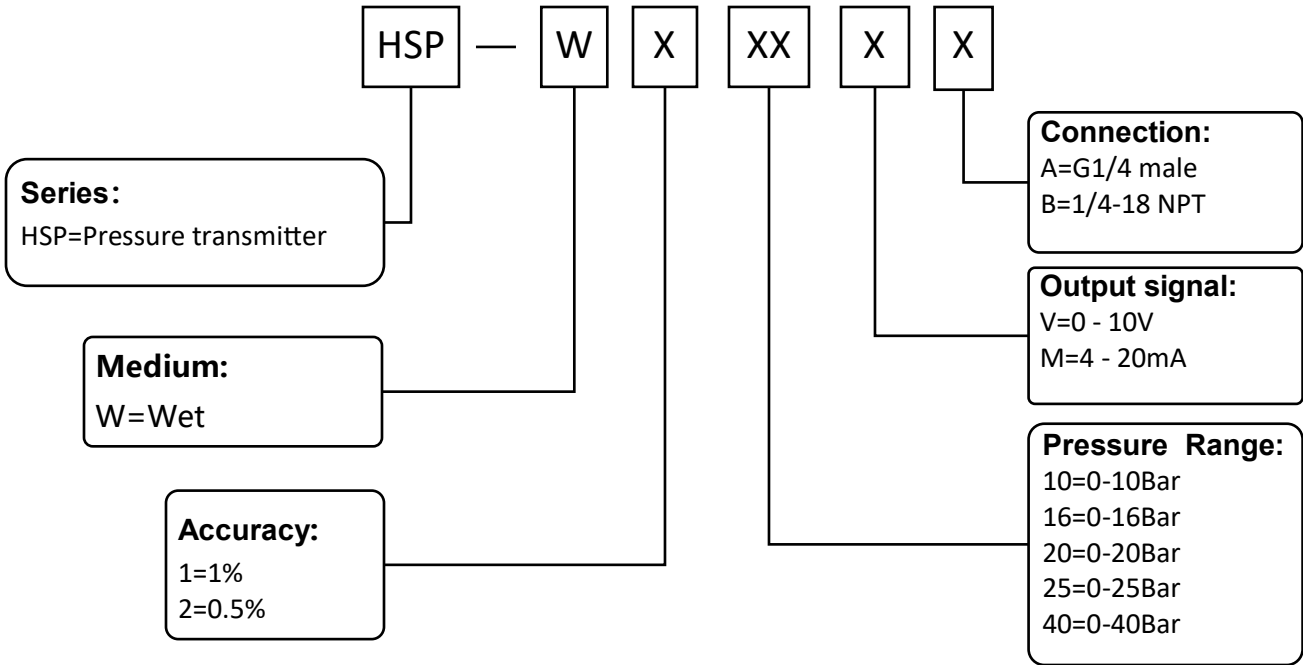
Basic parameter

Accuracy (25°C+5°C)	±0.5 %FS & ±1%FS
Zero Tolerance	±0.75%FS,
Span Tolerance	±0.75%FS,
Stability	< 0.5%FS / Year
Medium Temp.	-40~125°C
Compensated Temp.	-10~70°C
Working Environment	-20~125°C
Storage Environment	-40~100°C
IP rated	IP65
Response time	< 2ms
Proof Pressure	1.5*FS
Burst Pressure	3*FS
Output signal	0-10V, 4-20mA
Power	14-30VDC (0-10VDC output); 8-30VDC (4-20mA output)
Wiring	DIN43650A 1m extension wire
Material	Housing: SS304 Head: (UL94-V0) Seal: EPDM (1%) FKM(0.5%)

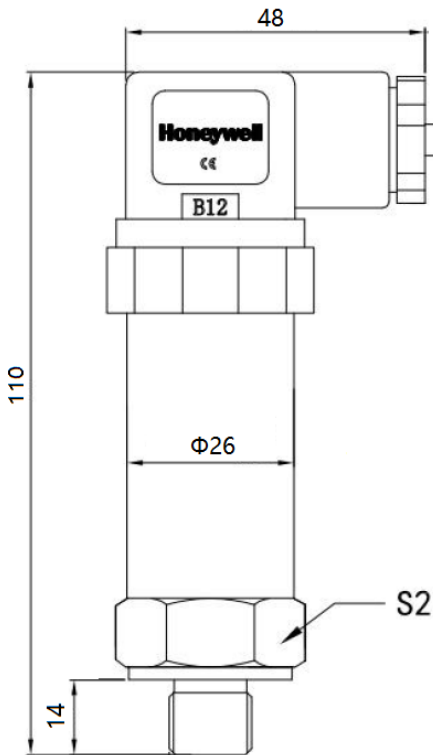
Order information and Parameters

SKU	Accuracy	Range	Output Signal	Connection
HSP-W110MA	1%	0~10Bar	4~20mA	G1/4 male
HSP-W116MA	1%	0~16Bar	4~20mA	G1/4 male
HSP-W120MA	1%	0~20Bar	4~20mA	G1/4 male
HSP-W125MA	1%	0~25Bar	4~20mA	G1/4 male
HSP-W140MA	1%	0~40Bar	4~20mA	G1/4 male
HSP-W110MB	1%	0~10Bar	4~20mA	1/4-18 NPT
HSP-W116MB	1%	0~16Bar	4~20mA	1/4-18 NPT
HSP-W120MB	1%	0~20Bar	4~20mA	1/4-18 NPT
HSP-W125MB	1%	0~25Bar	4~20mA	1/4-18 NPT
HSP-W140MB	1%	0~40Bar	4~20mA	1/4-18 NPT
HSP-W110VA	1%	0~10Bar	0~10V	G1/4 male
HSP-W116VA	1%	0~16Bar	0~10V	G1/4 male
HSP-W120VA	1%	0~20Bar	0~10V	G1/4 male
HSP-W125VA	1%	0~25Bar	0~10V	G1/4 male
HSP-W140VA	1%	0~40Bar	0~10V	G1/4 male
HSP-W110VB	1%	0~10Bar	0~10V	1/4-18 NPT
HSP-W116VB	1%	0~16Bar	0~10V	1/4-18 NPT
HSP-W120VB	1%	0~20Bar	0~10V	1/4-18 NPT
HSP-W125VB	1%	0~25Bar	0~10V	1/4-18 NPT
HSP-W140VB	1%	0~40Bar	0~10V	1/4-18 NPT
HSP-W210MA	0.5%	0~10Bar	4~20mA	G1/4 male
HSP-W216MA	0.5%	0~16Bar	4~20mA	G1/4 male
HSP-W220MA	0.5%	0~20Bar	4~20mA	G1/4 male
HSP-W225MA	0.5%	0~25Bar	4~20mA	G1/4 male
HSP-W240MA	0.5%	0~40Bar	4~20mA	G1/4 male
HSP-W210MB	0.5%	0~10Bar	4~20mA	1/4-18 NPT
HSP-W216MB	0.5%	0~16Bar	4~20mA	1/4-18 NPT
HSP-W220MB	0.5%	0~20Bar	4~20mA	1/4-18 NPT
HSP-W225MB	0.5%	0~25Bar	4~20mA	1/4-18 NPT
HSP-W240MB	0.5%	0~40Bar	4~20mA	1/4-18 NPT
HSP-W210VA	0.5%	0~10Bar	0~10V	G1/4 male
HSP-W216VA	0.5%	0~16Bar	0~10V	G1/4 male
HSP-W220VA	0.5%	0~20Bar	0~10V	G1/4 male
HSP-W225VA	0.5%	0~25Bar	0~10V	G1/4 male
HSP-W240VA	0.5%	0~40Bar	0~10V	G1/4 male
HSP-W210VB	0.5%	0~10Bar	0~10V	1/4-18 NPT
HSP-W216VB	0.5%	0~16Bar	0~10V	1/4-18 NPT
HSP-W220VB	0.5%	0~20Bar	0~10V	1/4-18 NPT
HSP-W225VB	0.5%	0~25Bar	0~10V	1/4-18 NPT
HSP-W240VB	0.5%	0~40Bar	0~10V	1/4-18 NPT

Definition



Dimension and Wiring diagram



Output Signal : 4-20mA



Output Signal : 0-10V



Honeywell Building Technologies

Greater China Building Business

Website: www.honeywell.com.cn

Service Hotline: 400-842-8487

© 2021 Honeywell International Inc.

All specifications are subject to change without notice.

THE
FUTURE
IS
WHAT
WE
MAKE IT

Honeywell